

Vibratory Finishing Machine & Media

The Vibratory Machine is designed for remove scratches from your product. Degrease the coated lubricant and polish surface to shine the product. Able to work for mass product process.

Machine Type

We have 4 types of vibratory machine are classified by appearance and application;

Appearance:

- The Vibratory Machine with Separator
- The Vibratory Machine without Separator

The operation of both types are similar but the machine with separator is able to automatic separate the product out from the media. The user don't have to separate by themselves. Increasing speed of the process and comfortable to user.



without Separator
Model: B-Type



with Separator
Model: AB-Type



Application:

- The Vibratory Machine for usual work
- The Vibratory Machine for steel burnishing work

Both types of them have same shape but use different motor quality. Steel burnishing type use higher power motor than normal type to shake steel media that the weight is much heavier than other media type.



Steel burnishing type without Separator
Model: C-Type

Model C-Type is designed for heavy steel burnishing work. It is able to contain a lot of weight of steel media and many quantity of workpieces to do mass work. The curved shapes makes media move better.



Kepler International Co.,Ltd.

44/20 Moo 4 T.Klongyong, A.Phuttamonthon, Nakornpathom 73170

Tel.034-989710-5 Fax.034-989716

Website : www.kepler.co.th E-mail: sales@kepler.co.th, info@kepler.co.th

MEDIA & COMPOUND

Media

Size, Shape and type of media can be met according to customer need. There are various types of media which can produce different finishing;

- Stainless Steel Media
- Ceramic Media
- Plastic Media
- Porcelain Media



Consideration for choosing shape and size of the media depend on design and weight of the product.

Compound

Chemical compound is also necessary component to polish the product more effectively. There are various types of compound for different type of work.



Industries Served

- Castings
- Zinc, aluminium die castings
- Forgings
- Jewelry
- Non-ferrous parts; brass, copper, etc.
- Electrical parts



Kepler International Co.,Ltd.

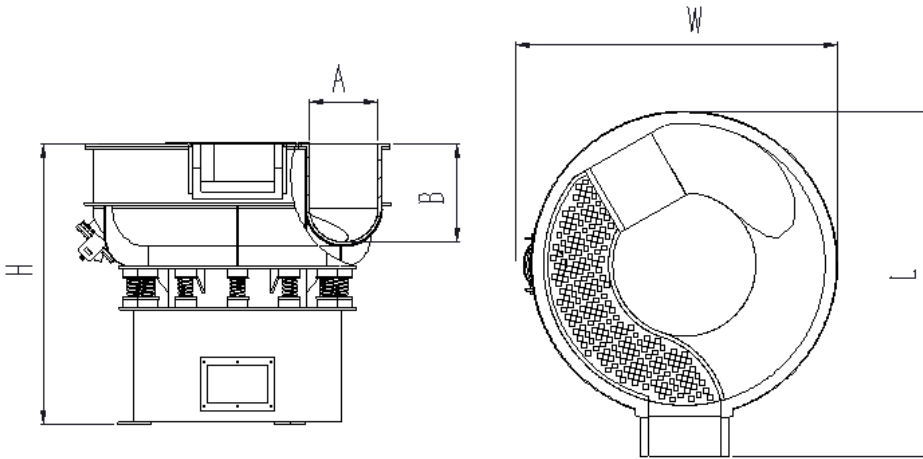
44/20 Moo 4 T.Klongyong, A.Phuttamonthon, Nakornpathom 73170

Tel.034-989710-5 Fax.034-989716

Website : www.kepler.co.th E-mail: sales@kepler.co.th, info@kepler.co.th

WITH SEPARATOR

AB TYPE



SPECIFICATIONS (mm.)

Model	Capacity L	Motor kw	Electricity V/Hz	Motor rpm	Weight kg	A mm	B mm	L mm	W mm	H mm
AB150	150	1.1	380/50	1440	320	220	315	1080	1040	880
AB180X	180	1.5	380/50	1440	598	270	410	1319	1200	1086
AB200	220	1.5	380/50	1440	400	270	390	1270	1200	870
AB300X	300	2.2	380/50	1440	755	295	460	1435	1320	1160
AB400X	400	2.5	380/50	1440	800	330	480	1580	1400	1180
AB620X	620	7.5	380/50	1440	1450	400	515	1900	1750	1400



Type AB
Model: AB-150



Kepler International Co.,Ltd.

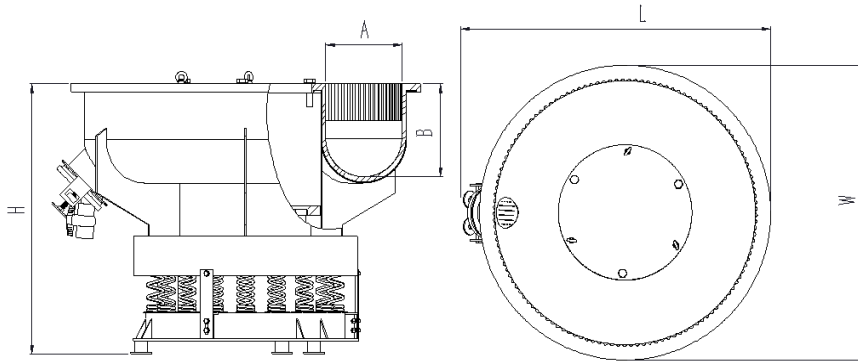
44/20 Moo 4 T.Klongyong, A.Phuttamonthon, Nakornpathom 73170

Tel.034-989710-5 Fax.034-989716

Website : www.kepler.co.th E-mail: sales@kepler.co.th, info@kepler.co.th

WITHOUT SEPARATOR

B TYPE



SPECIFITIONS (mm.)

Model	Capacity L	Motor kw	Electricity V/Hz	Motor rpm	Weight kg	A mm	B mm	L mm	W mm	H mm
B30 (Normal)	30	0.25	380/50	1440	50	145	190	510	510	620
B30 (Steel Burnishing)	30	0.37	380/50	1440	50	145	190	510	510	620
B50	50	0.55	380/50	1440	90	190	240	640	640	700
B80	80	1.1	380/50	1440	110	230	250	800	800	690
B150	150	1.1	380/50	1440	300	220	320	1030	1030	890
B200	200	1.5	380/50	1440	400	270	380	1200	1200	870
B300	300	2.2	380/50	1440	560	290	365	1330	1330	1010
B400	400	2.2	380/50	1440	600	335	380	1430	1430	1040
B600	600	5.5	380/50	1440	1300	380	480	2000	1900	1400



Type B
Model: B-30



Type B
Model: B-50



Kepler International Co.,Ltd.

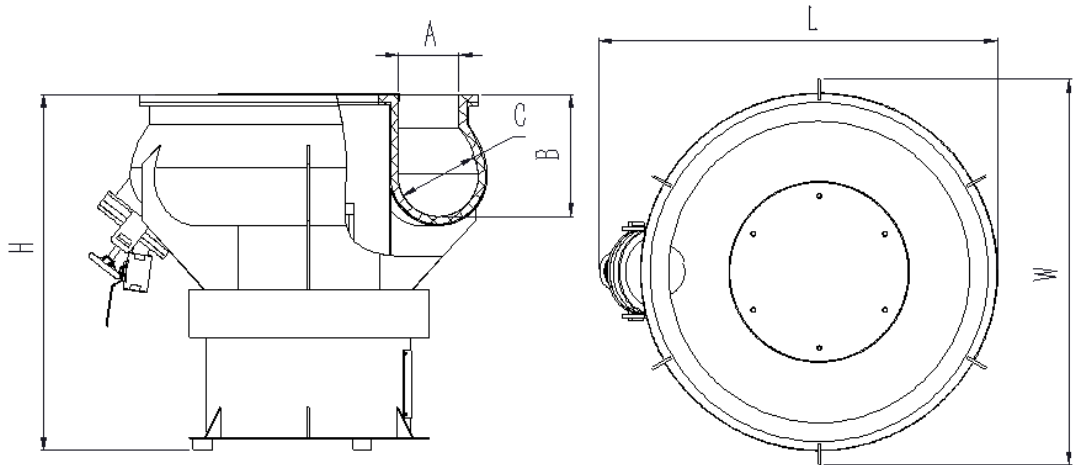
44/20 Moo 4 T.Klongyong, A.Phuttamonthon, Nakornpathom 73170

Tel.034-989710-5 Fax.034-989716

Website : www.kepler.co.th E-mail: sales@kepler.co.th, info@kepler.co.th

WITHOUT SEPARATOR

C TYPE



SPECIFITIONS (mm.)

Model	Capacity L	Motor KW	Electricity V/Hz	Motor rpm	Weight kg	A mm	B mm	L mm	W mm	H mm
C-100	100	2.2	380/50	1440	300	210	320	1050	1000	900
C-200	200	3	380/50	1440	400	260	390	1250	1220	920
C-300	300	3.7	380/50	1440	560	280		1340	1320	1030



Type C
Model: C-200



Kepler International Co.,Ltd.

44/20 Moo 4 T.Klongyong, A.Phuttamonthon, Nakornpathom 73170

Tel.034-989710-5 Fax.034-989716

Website : www.kepler.co.th E-mail: sales@kepler.co.th, info@kepler.co.th